

Enquiry Ordering

Company stamp/signature: _____

Customer number: _____

Contact person: _____

Telephone: _____

Offer number: _____

Commission: _____

Postcode mounting location: _____

Standard snow load: 65 kg/m² 85 kg/m² 125 kg/m² 160 kg/m² 230 kg/m² 290 kg/m²
 350 kg/m²

Dimensions: Width outer edge support: _____ Depth outer edge support: _____

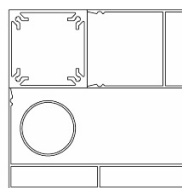
Height upper edge wall connection: _____ Height lower edge eave: _____ (Height including floor recess!)

Number of roof sections: _____ (Maximum width of 1,000 mm/roof section!)

Colour: RAL _____ Special colour: _____ Pre-anodization

Number of suppo _____ Support extension _____ mm
 (for adaptation of the support length on the construction site)

Support feet: Center / number _____ Corner / number _____



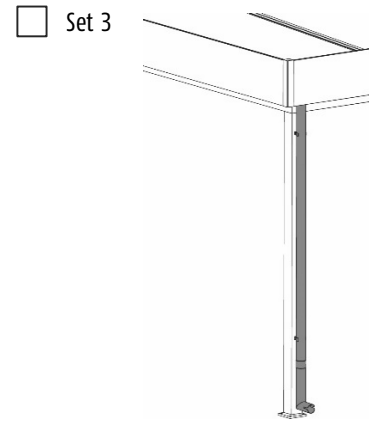
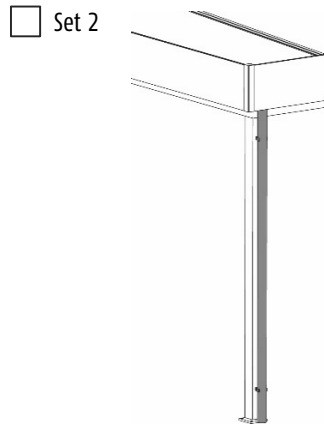
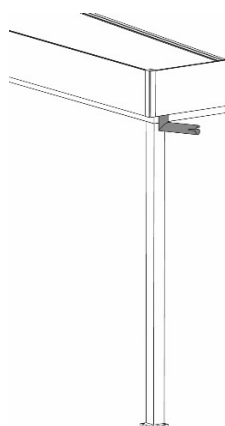
Glazing designed for: 8 mm 10 mm 12 mm

Fillings/multi-skin sheets for: 16 mm

Glazing bars for division of the glass: yes no

Drainage: Set 1

(A second downpipe is recommended for a roof surface area of 20 m² or more!)



- Set 1 (Screw supports incl. seal, 180° spout, aluminium in roof colour)
- Set 2 (Screw supports incl. seal, downpipe 2,500 mm, 2 clamp mounts, aluminium in roof colour)
- Set 3 (Screw necks incl. seal, downpipe 2,500 mm, 87° pipe bend with outlet, 1 socket, 2 clamp mounts, aluminium in roof colour)

Position of drainage: left right center (only possible if there are 3 or more support)
(External view)

Lighting:

_____	Part	LED spots per rafter (please create a sketch for the distribution of the spots)
_____	Part	LED-spots per Light strip (please create a sketch for the distribution of the spots)
_____	Part	Dimming controller
_____	Part	1-channel remote control
_____	Part	5-channel remote control with dimming control
_____	Part	Set of 3 LED recessed light "Altea" 3000K
_____	Part	Transformer DC 24V 30W

Cable duct wall connection: yes no

Cable duct for all-round lighting: yes no
 left side right side center side

Foundation elements:

front:	<input type="checkbox"/> SF20 <input type="checkbox"/> SF42	<input type="checkbox"/> SF25 <input type="checkbox"/> SF45	<input type="checkbox"/> SF25 framed	<input type="checkbox"/> SF30	<input type="checkbox"/> SF35
left:	<input type="checkbox"/> SF20 <input type="checkbox"/> SF42	<input type="checkbox"/> SF25 <input type="checkbox"/> SF45	<input type="checkbox"/> SF25 framed <input type="checkbox"/> Triangle glazing (roof light)	<input type="checkbox"/> SF30	<input type="checkbox"/> SF35
right:	<input type="checkbox"/> SF20 <input type="checkbox"/> SF42	<input type="checkbox"/> SF25 <input type="checkbox"/> SF45	<input type="checkbox"/> SF25 framed <input type="checkbox"/> Triangle glazing (roof light)	<input type="checkbox"/> SF30	<input type="checkbox"/> SF35

Please complete and send the corresponding order form!

Please add layout or elevation sketches and notes! (Note: use external view!)

